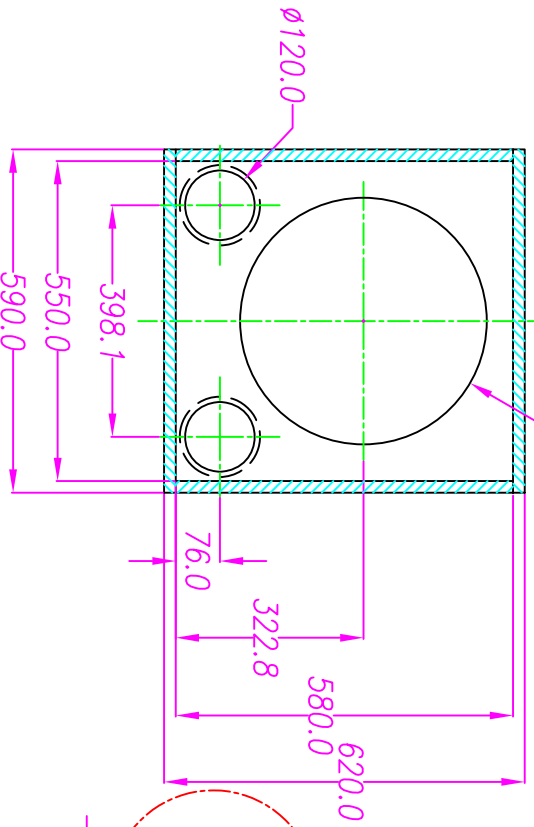
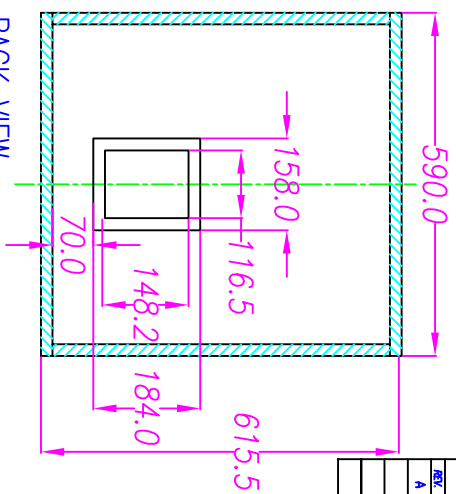
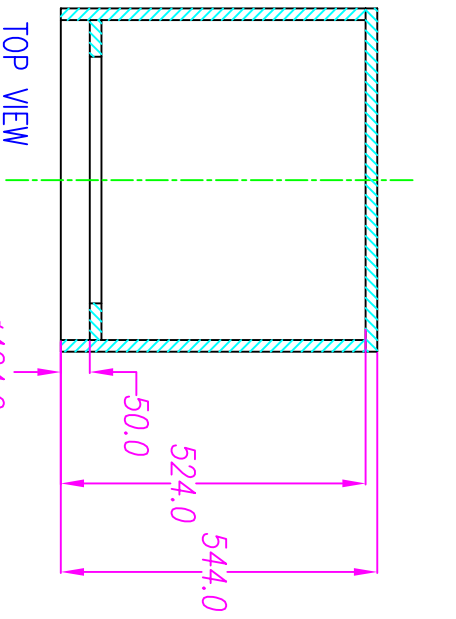
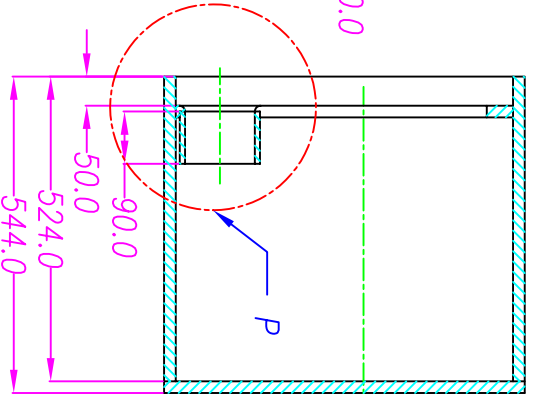


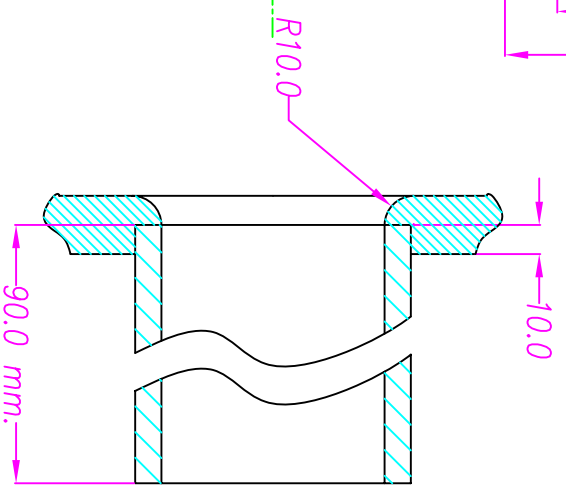
REV.	DATE	DESCRIPTION	NAME
A	24/06/02	DRAWING	NK




FRONT VIEW



SIDE VIEW



DETAIL OF P
SCALE 5:1

THIRD ANGLE PROJECTION		UNLESS OTHERWISE SPECIFIED, INTERPRET THIS DRAWING PER ANSI Y14.5M-1982	
DRAWER	DATE	CHECKER	DATE
NAKORN	24/06/02	NNM	24/06/02
		P.AUDIO SYSTEM CO.,LTD. BANGKOK, THAILAND	
DESCRIPTION		SHEET 1 of 1	